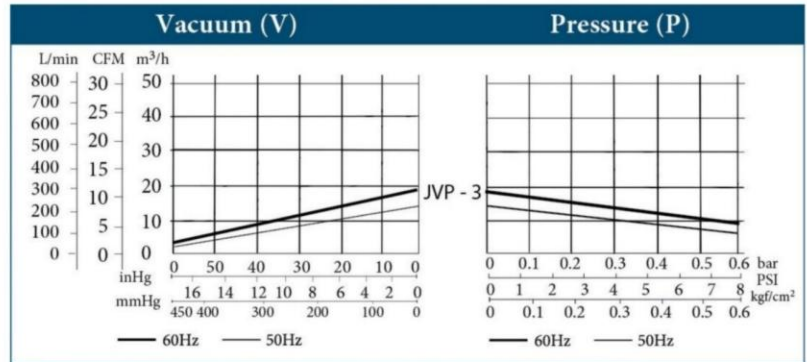


Jallo's JVP-3 Dry Rotary Vane Vacuum Pump

JALLO
Equipment and Supply, Inc.



Performance

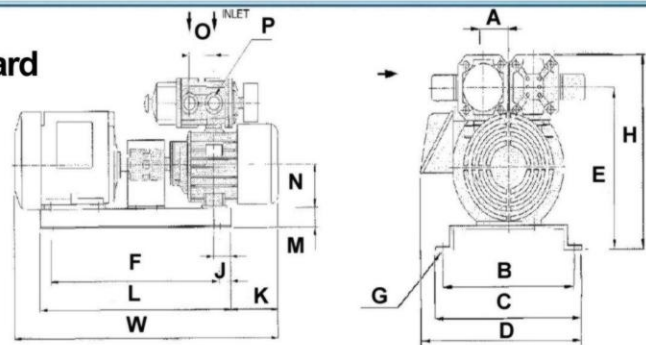


Specifications

Model	Hertz (Hz)	Air flow open OmmHg				Speed (rpm)	Vacuum		Pressure		Suction/Exhaust port diameter	Motor	Weight	
		m ³ / h		CFM			mmHg	inHg	kg/cm ²	psi			kg	lbs
JVP-3	50	10.8	11.1	6.4	6.5	1450	635	25	0.6	8.5	Rc3/4 Female NPT	3 phase .37kW 4P	21.0 (24.0)	46.3 (52.9)
	60	12.6	12.6	7.4	7.4	1730								

- Vacuum Gauges and Regulators Standard
- *Motors are 3 Phase 208/220/460 60Hz
- Direct Coupled
- Out Board Bearings
- Run Cool to Increase Service Life

*Single Phase Available



Dimensions	W	H	A	B	C	D	E	F	G	L	J	K	L-1	M	N	O	P
JVP-3	500	255	45	200	230	230	205	308	4-ø9	388	40	90	40	32	71	50	Rc 3/4"

Unit of measurement is mm

JVP Dry Vacuum Pumps are Oil-Free, Environmentally Friendly and require very low maintenance.
JVP pumps can be set-up Combination Vacuum and/or Pressure or doubled up for extra Vacuum and Pressure. See our JVP Double Pumps series for more info.